

### Model name

# PSS 3 - 12 - 5

Series name      Output power      Input voltage      Output voltage

### Features

- RoHS Compatible Design (5th Generation Concept)
- Suitable for computer, telecommunication, FA control, Amusement application
- Wide operating temperature (-40 to 85degC with derating)
- Long Life design: Employ only ceramic capacitor.
- SMD type is coming soon.

### Safety standard

UL60950-1, CSA60950-1 EN60950-1

### PSS1R5 (1.5W type) Specifications

Model		PSS1R5 -5-3R3	PSS1R5 -5-5	PSS1R5 -5-12	PSS1R5 -12-3R3	PSS1R5 -12-5	PSS1R5 -12-12	PSS1R5 -24-3R3	PSS1R5 -24-5	PSS1R5 -24-12	PSS1R5 -48-3R3	PSS1R5 -48-5	PSS1R5 -48-12
<b>Input Voltage</b>	VDC	5VDC (4.5 ~ 9V)			12VDC (9 ~ 18V)			24VDC (18 ~ 36V)			48VDC(36 ~ 76V)		
<b>Output Voltage</b>	VDC	3.3	5	12 (15)	3.3	5	12 (15)	3.3	5	12 (15)	3.3	5	12 (15)
<b>Output Current</b>	A	0.4	0.3	0.13 (0.1)	0.4	0.3	0.13 (0.1)	0.4	0.3	0.13 (0.1)	0.4	0.3	0.13 (0.1)
<b>Output Power (max)</b>	W	1.32	1.5	1.56	1.32	1.5	1.56	1.32	1.5	1.56	1.32	1.5	1.56
<b>Size (W x H x D)</b>	mm	20.0 x 8.0 x 16.0											

### PSS3 (3W type) Specifications

Model		PSS3 -5-3R3	PSS3 -5-5	PSS3 -5-12	PSS3 -12-3R3	PSS3 -12-5	PSS3 -12-12	PSS3 -24-3R3	PSS3 -24-5	PSS3 -24-12	PSS3 -48-3R3	PSS3 -48-5	PSS3 -48-12
<b>Input Voltage</b>	VDC	5VDC (4.5 ~ 9V)			12VDC (9 ~ 18V)			24VDC (18 ~ 36V)			48VDC(36 ~ 76V)		
<b>Output Voltage</b>	VDC	3.3	5	12 (15)	3.3	5	12 (15)	3.3	5	12 (15)	3.3	5	12 (15)
<b>Output Current</b>	A	0.6	0.6	0.25 (0.2)	0.6	0.6	0.25 (0.2)	0.6	0.6	0.25 (0.2)	0.6	0.6	0.25 (0.2)
<b>Output Power (max)</b>	W	1.98	3.0	3.0	1.98	3.0	3.0	1.98	3.0	3.0	1.98	3.0	3.0
<b>Size (W x H x D)</b>	mm	26.0 x 8.0 x 16.0											

### PSS6 (6W type) Specifications

Model		PSS6 -5-3R3	PSS6 -5-5	PSS6 -5-12	PSS6 -12-3R3	PSS6 -12-5	PSS6 -12-12	PSS6 -24-3R3	PSS6 -24-5	PSS6 -24-12	PSS6 -48-3R3	PSS6 -48-5	PSS6 -48-12
<b>Input Voltage</b>	VDC	5VDC (4.5 ~ 9V)			12VDC (9 ~ 18V)			24VDC (18 ~ 36V)			48VDC(36 ~ 76V)		
<b>Output Voltage</b>	VDC	3.3	5	12 (15)	3.3	5	12 (15)	3.3	5	12 (15)	3.3	5	12 (15)
<b>Output Current</b>	A	1.2	1.0	0.5 (0.4)	1.5	1.2	0.5 (0.4)	1.5	1.2	0.5 (0.4)	1.5	1.2	0.5 (0.4)
<b>Output Power (max)</b>	W	3.96	5.0	6.0	4.95	6.0	6.0	4.95	6.0	6.0	4.95	6.0	6.0
<b>Size (W x H x D)</b>	mm	28.5 x 8.0 x 20.5											

### PSS10 (10W type) Specifications

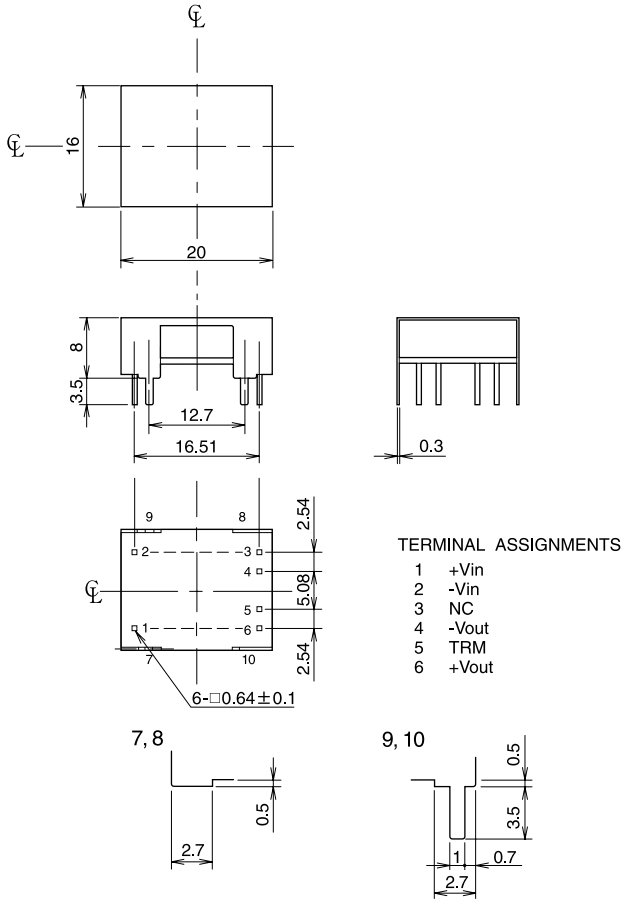
Model		PSS10 -5-3R3	PSS10 -5-5	PSS10 -5-12	PSS10 -12-3R3	PSS10 -12-5	PSS10 -12-12	PSS10 -24-3R3	PSS10 -24-5	PSS10 -24-12	PSS10 -48-3R3	PSS10 -48-5	PSS10 -48-12
<b>Input Voltage</b>	VDC	5VDC (4.5 ~ 9V)			12VDC (9 ~ 18V)			24VDC (18 ~ 36V)			48VDC(36 ~ 76V)		
<b>Output Voltage</b>	VDC	3.3	5	12 (15)	3.3	5	12 (15)	3.3	5	12 (15)	3.3	5	12 (15)
<b>Output Current</b>	A	2.5	1.6	0.8 (0.64)	2.5	2.0	1.0 (0.8)	2.5	2.0	1.0 (0.8)	2.5	2.0	1.0 (0.8)
<b>Output Power (max)</b>	W	8.25	8.0	9.6	8.25	10.0	12.0	8.25	10.0	12.0	8.25	10.0	12.0
<b>Size (W x H x D)</b>	mm	40.5 x 8.0 x 22.0											

### Common specifications

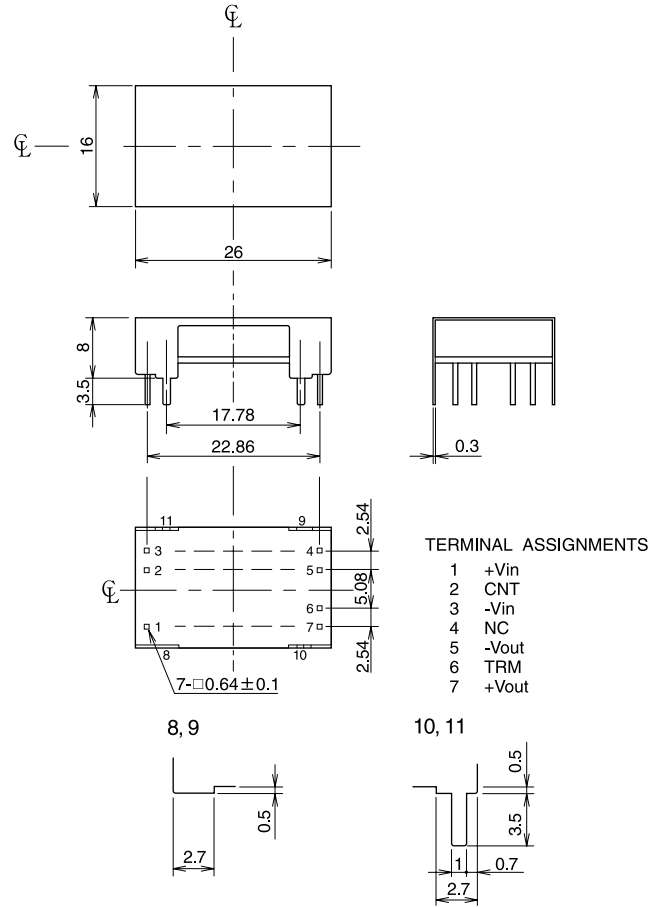
<b>Withstand Voltage</b>	Input - Output, Input - Case: 500VAC for 1 min (20mA)
<b>Cooling</b>	Convection cooling / Forced air cooling
<b>Operating Temperature</b>	-40°C ~ +85°C with derating
<b>Over Current Protection</b>	Yes. Constant current limiting with automatic recovery.

## Outline drawing

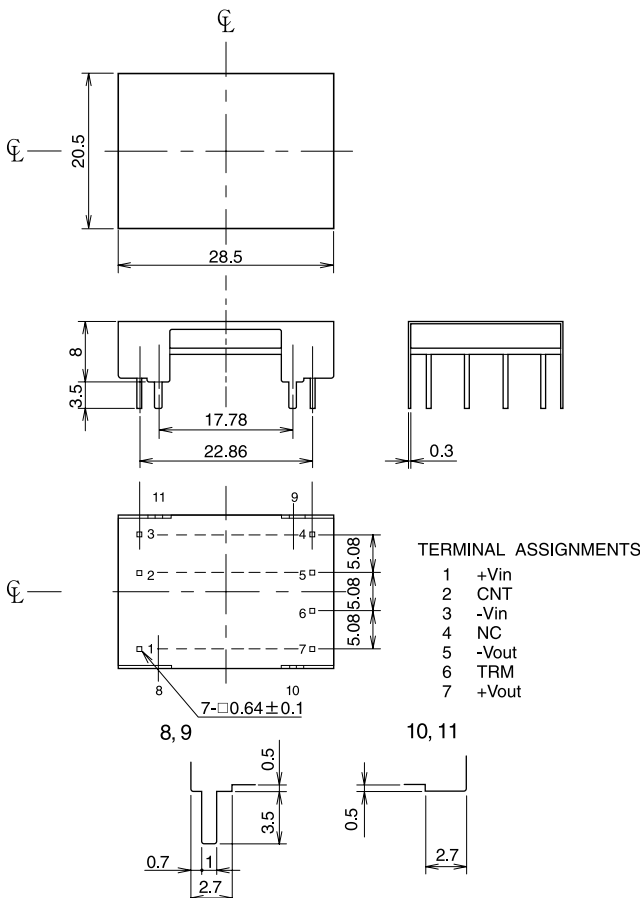
### • PSS1R5 (1.5W type)



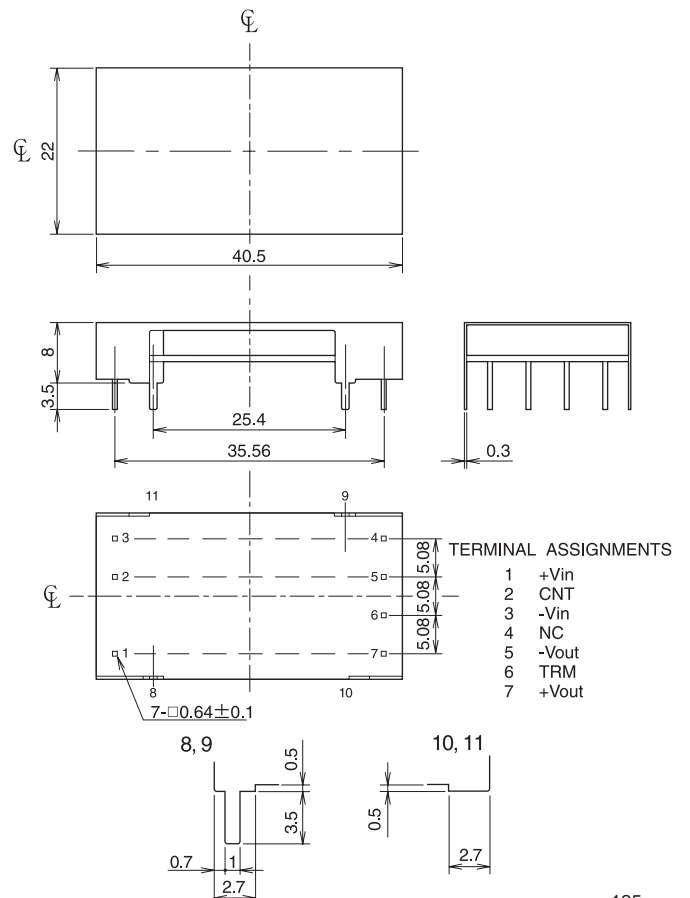
### • PSS3 (3W type)



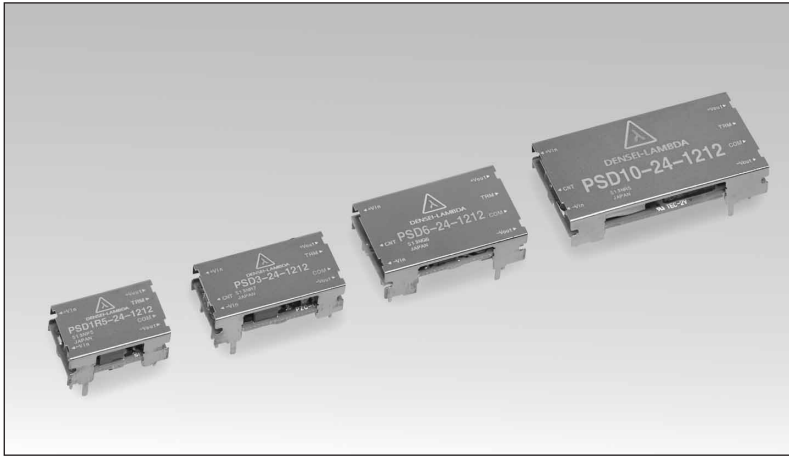
### • PSS6 (6W type)



### • PSS10 (10W type)



DC-DC Converter



### Model name

# PSD 3 - 5 - 1212

Series name      Output power      Input voltage      Output voltage

### Features

- RoHS Compatible Design (5th Generation Concept)
- Suitable for computer, telecommunication, FA control, Amusement application
- Wide operating temperature (-40 to 85degC with derating)
- Long Life design: Employ only ceramic capacitor.
- SMT type is coming soon.

### Safety standard

UL60950-1, CSA60950-1 EN60950-1

### PSD1R5 (1.5W type) Specifications

Model		PSD1R5-5-1212		PSD1R5-12-1212		PSD1R5-24-1212		PSD1R5-48-1212	
<b>Input Voltage</b>	<b>VDC</b>	5VDC(4.5-9.0V)		12VDC(9-18V)		24VDC(18-36V)		48VDC(36-76V)	
<b>Output Voltage</b>	<b>VDC</b>	± 12V	± 15V	± 12V	± 15V	± 12V	± 15V	± 12V	± 15V
<b>Output Current</b>	<b>mA</b>	± 65	± 52	± 65	± 52	± 65	± 52	± 65	± 52
<b>Output Power</b>	<b>W</b>	1.56	1.56	1.56	1.56	1.56	1.56	1.56	1.56

### PSD3 (3W type) Specifications

Model		PSD3-5-1212		PSD3-12-1212		PSD3-24-1212		PSD3-48-1212	
<b>Input Voltage</b>	<b>VDC</b>	5VDC(4.5-9.0V)		12VDC(9-18V)		24VDC(18-36V)		48VDC(36-76V)	
<b>Output Voltage</b>	<b>VDC</b>	± 12V	± 15V	± 12V	± 15V	± 12V	± 15V	± 12V	± 15V
<b>Output Current</b>	<b>mA</b>	± 130	± 104	± 130	± 104	± 130	± 104	± 130	± 104
<b>Output Power</b>	<b>W</b>	3.12	3.12	3.12	3.12	3.12	3.12	3.12	3.12

### PSD6 (6W type) Specifications

Model		PSD6-5-1212		PSD6-12-1212		PSD6-24-1212		PSD6-48-1212	
<b>Input Voltage</b>	<b>VDC</b>	5VDC(4.5-9.0V)		12VDC(9-18V)		24VDC(18-36V)		48VDC(36-76V)	
<b>Output Voltage</b>	<b>VDC</b>	± 12V	± 15V	± 12V	± 15V	± 12V	± 15V	± 12V	± 15V
<b>Output Current</b>	<b>mA</b>	± 250	± 200	± 250	± 200	± 250	± 200	± 250	± 200
<b>Output Power</b>	<b>W</b>	6.0	6.0	6.0	6.0	6.0	6.0	6.0	6.0

### PSD10 (10W type) Specifications

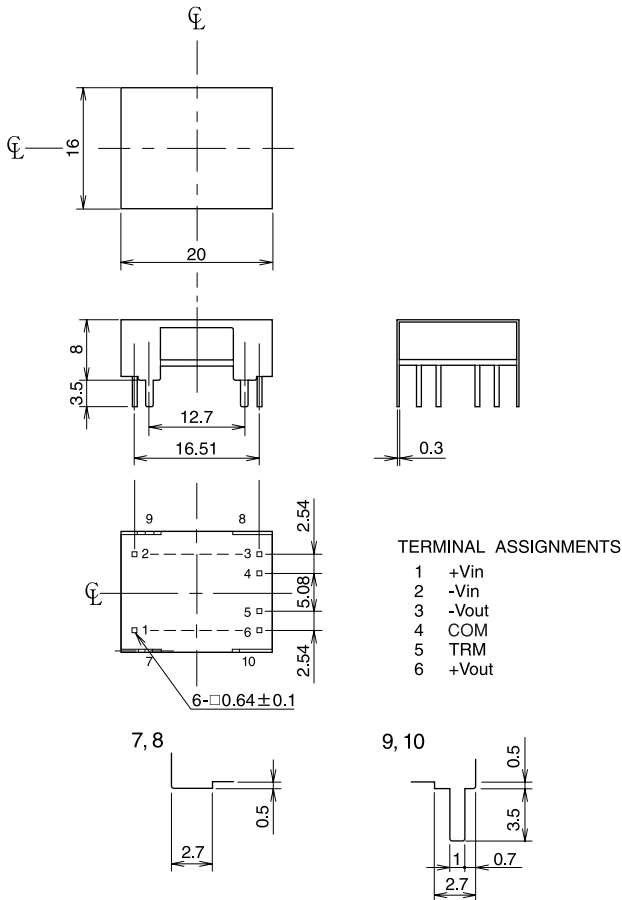
Model		PSD10-5-1212		PSD10-12-1212		PSD10-24-1212		PSD10-48-1212	
<b>Input Voltage</b>	<b>VDC</b>	5VDC(4.5-9.0V)		12VDC(9-18V)		24VDC(18-36V)		48VDC(36-76V)	
<b>Output Voltage</b>	<b>VDC</b>	± 12V	± 15V	± 12V	± 15V	± 12V	± 15V	± 12V	± 15V
<b>Output Current</b>	<b>mA</b>	± 350	± 280	± 500	± 400	± 500	± 400	± 500	± 400
<b>Output Power</b>	<b>W</b>	8.4	8.4	12.0	12.0	12.0	12.0	12.0	12.0

### Common specifications

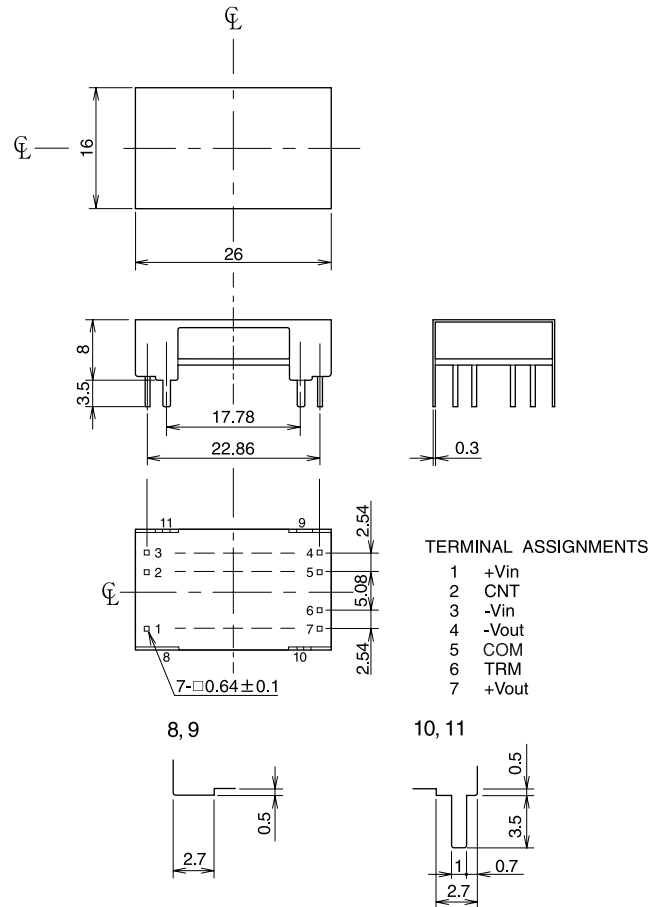
<b>Withstand Voltage</b>	Input-Output, Input-case : 500VAC for 1 min (20mA)
<b>Cooling</b>	Convection Cooling / Forced air cooling
<b>Operating Temperature</b>	-40°C ~ +85°C with derating
<b>Over Current Protection</b>	Yes. Constant current limiting with automatic recovery.

## Outline drawing

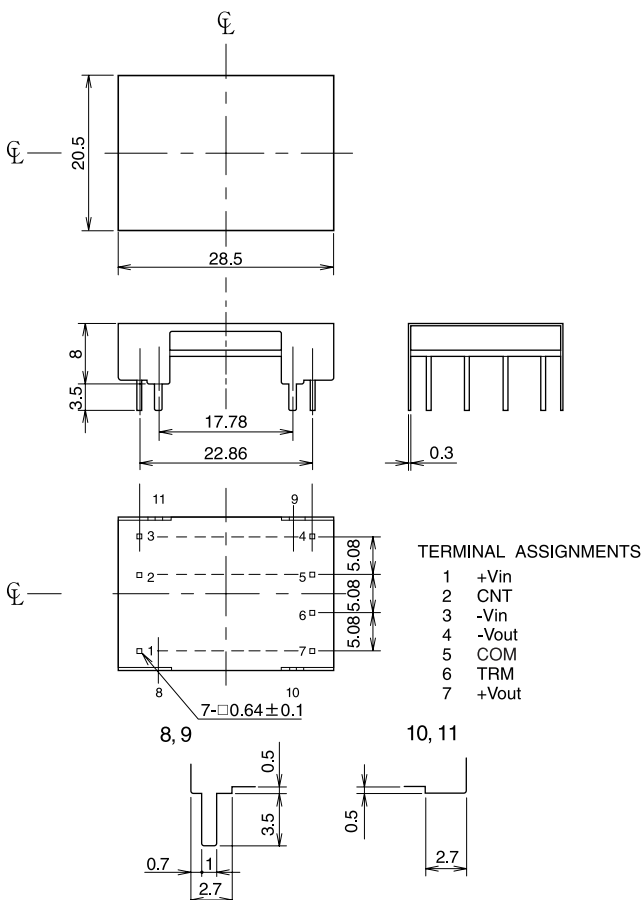
### • PSD1R5 (1.5W type)



### • PSD3 (3W type)



### • PSD6 (6W type)



### • PSD10 (10W type)

